

Multiport Cluster Flanges

Available in standard and customized configurations



Description

Critical for UHV and XHV experimentation, optics, and sputtering techniques, multiport cluster flanges are large flanges that can be connected to a vacuum chamber with the provision for mounting a variety of smaller flanges.

Due to the versatility in flange size and configuration, equipping a multiport flange will allow users the ability to optimize vacuum system connections to hold components such as viewports, pressure gauges, sputter sources, RGA heads, electrical feedthroughs, and more.

With over 50 years of experience serving national labs, universities, and research facilities, ANCORP has created highly customizable multiport cluster flanges from the most common configurations to improve customer experience and turnaround time. Standard ConFlat (CF) multiport cluster flanges are available in multiport straight-in, multiport angled-in, and cluster flange angled-in configurations.

Product Features:

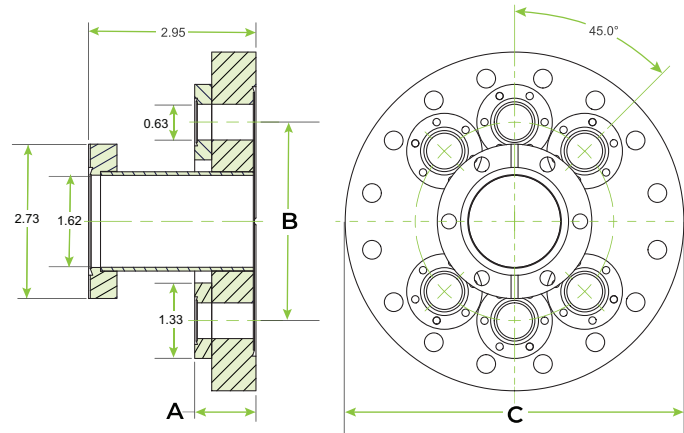
- Converts a large flange port to several smaller ports.
- Excellent for attaching feedthroughs, instrumentation, and deposition sources in UHV R&D and thin-film systems.
- Customizable for number of ports, angles of ports, flange sizes, tube lengths, and more.
- 3 basic configurations: multiport straight-in, multiport angled-in, and cluster angled-in.

Product Specifications:

- Standard Material: 304L SS
- Temperature Range: -200°C to 450°C
- Vacuum Range : UHV (Approx. 1×10^{-13} Torr)

Multiport Flanges, Straight-In

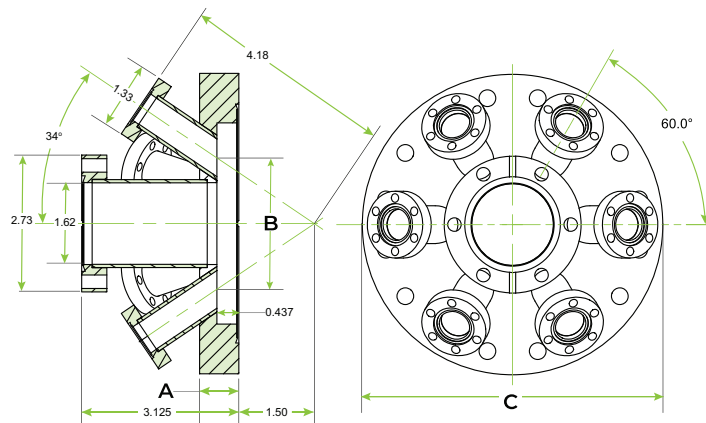
CF600 (6") or CF800 (8") O.D. multiport flange with (1) CF275 (2.75") fixed center flange on tube extension and (6) CF133T (1.33", tapped bolt holes) fixed mini flanges, flush-mounted.



| Part ID | Reference Number | Description | A (in) | B (in) | C (in) |
|---------|-------------------------|--|--------|--------|--------|
| 5005000 | CF600XCF275X6CF133T-MCF | CF600 6" OD Multiport Flange, Straight-In, (1) CF275-175 Center Flange, (6) Flush-Mounted CF133T-075 | 1.08 | 3.50 | 6.00 |
| 5005001 | CF800XCF275X6CF133T-MCF | CF800 8" OD Multiport Flange, Straight-In, (1) CF275-175 Center Flange, (6) Flush-Mounted CF133T-075 | 1.18 | 4.25 | 8.00 |

Multiport Flanges, Angled-In

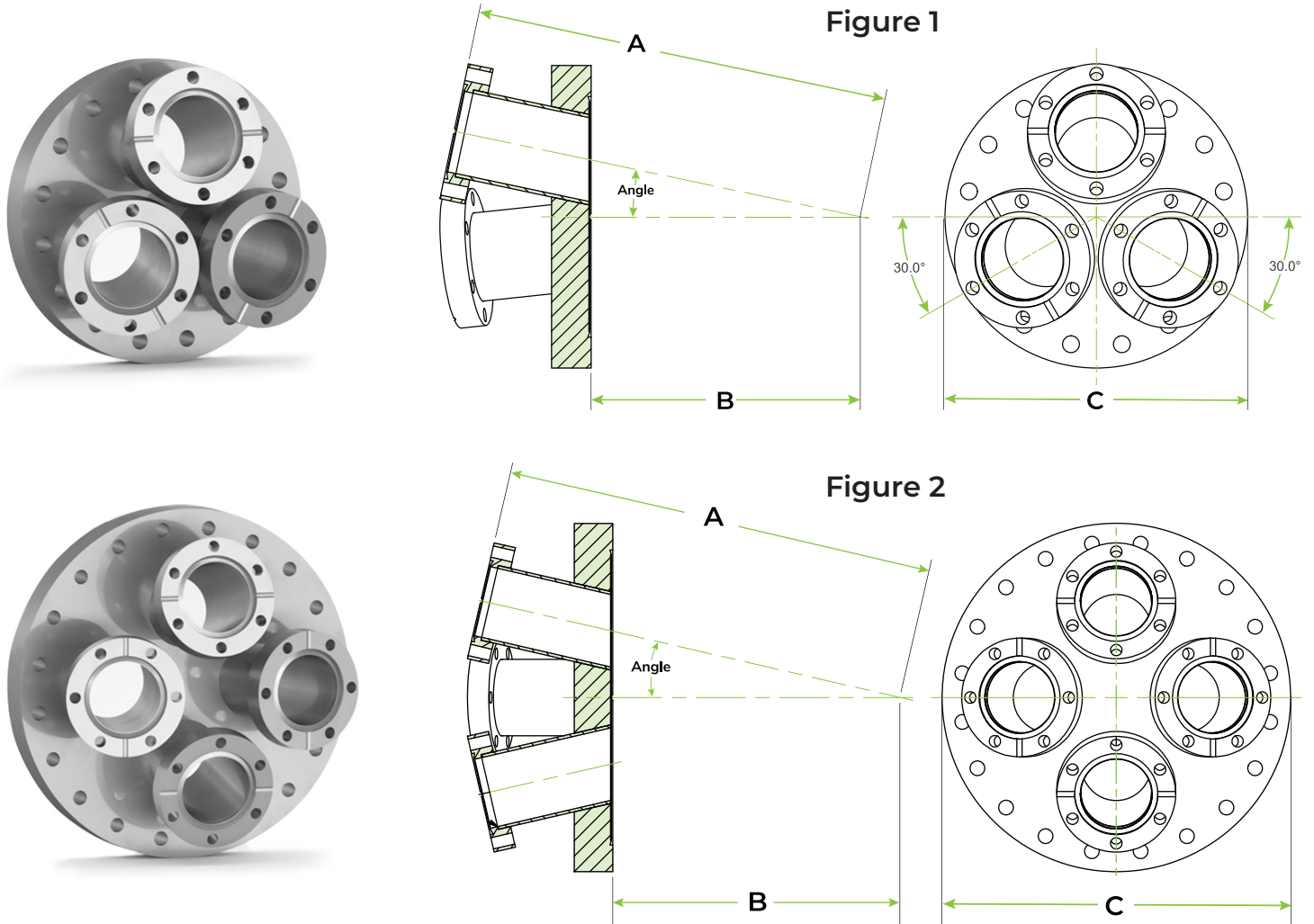
CF600 (6") or CF800 (8") O.D. multiport flange with (1) CF275 (2.75") fixed center flange on tube extension and (6) CF133 (1.33") fixed mini flanges angled-in on tube extensions, focused on a target point.



| Part ID | Reference Number | Description | A (in) | B (in) | C (in) |
|---------|------------------------|---|--------|--------|--------|
| 5005002 | CF600XCF275X6CF133-MCF | CF600 6" OD Multiport Flange, Angled-In, (1) CF275-175 Center Flange, (6) CF133-075 | 0.78 | 2.61 | 6.00 |
| 5005003 | CF800XCF275X6CF133-MCF | CF800 8" OD Multiport Flange, Angled-In, (1) CF275-175 Center Flange, (6) CF133-075 | 0.88 | 2.61 | 8.00 |

Cluster Flanges, Angled-In

CF600 (6") or CF800 (8") O.D. multiport flange with (3) or (4) CF275 (2.75") fixed flanges angled-in on tube extensions, focused on a target point.



| Part ID | Reference Number | Description | Figure | Angle | A (In) | B (in) | C (in) |
|---------|-------------------|---|--------|-------|--------|--------|--------|
| 5005004 | CF600X3CF275-AMCF | CF600 6" OD Cluster Flange, (3) CF275-175 Flanges | 1 | 11.9° | 8.19 | 5.31 | 6.00 |
| 5005005 | CF800X3CF275-AMCF | CF800 8" OD Cluster Flange, (3) CF275-175 Flanges | 1 | 13° | 9.84 | 6.57 | 8.00 |
| 5005006 | CF800X4CF275-AMCF | CF800 8" OD Cluster Flange, (4) CF275-175 Flanges | 2 | 13° | 9.84 | 6.57 | 8.00 |

All multiport configurations are customizable for: number of ports, angles of ports, flange sizes, tube lengths, materials, and more. Contact one of our applications engineers at **1-800-352-6431** or visit us online at www.ancorp.com for more information.



Empowering Science and Technology Since 1965.

As manufacturers of high and ultra-high vacuum components, we serve researchers, scientists, engineers, and manufacturers with the products they need to build and maintain their vacuum systems. We offer everything from vacuum hardware and valves to chambers and custom fabrications.



707 SW 19th Ave.
Williston, FL 32696

Sales: 1-800-352-6431
Main: 1-352-528-4100

sales@ancorp.com
www.ancorp.com

Get Connected

