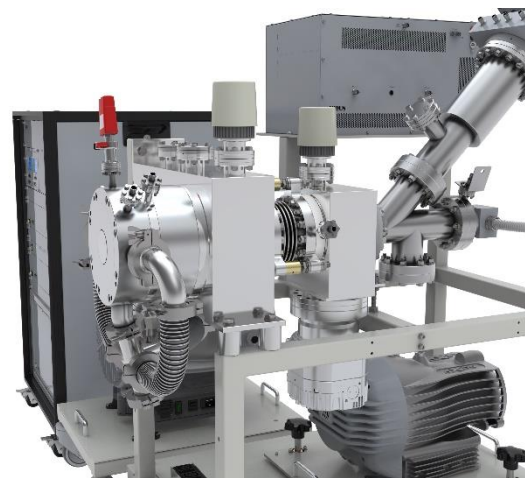
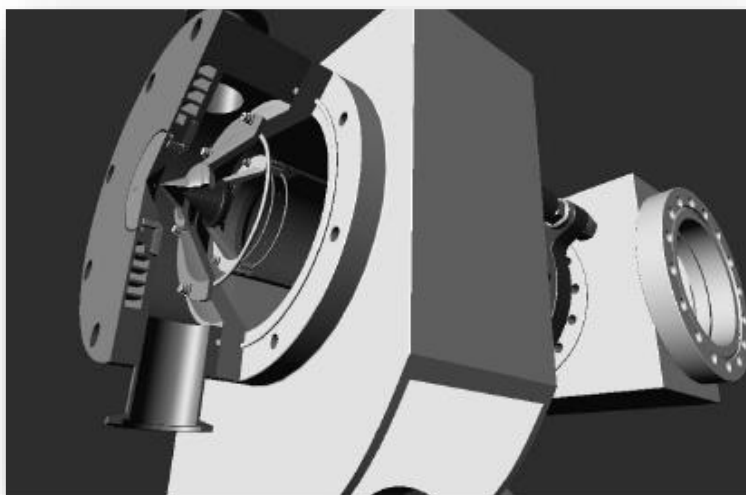


Hidden HPR-60

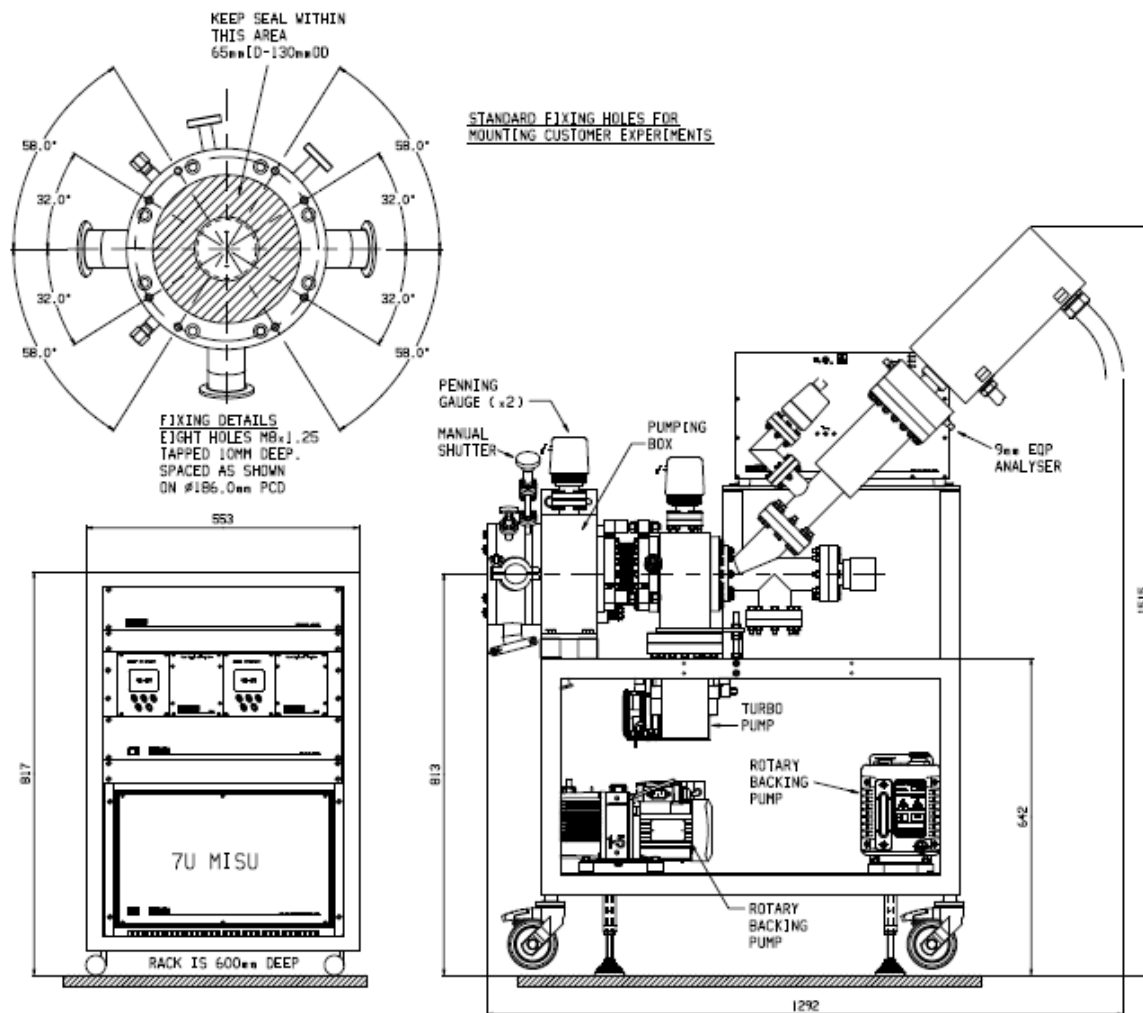
Molecular Beam Mass Spectrometer (MBMS)
for the quantitative analysis of reactive gas
species

HPR-60 Overview

- The Hiden HPR-60 Molecular Beam Mass Spectrometer (MBMS) is a compact, mobile gas analysis system for the quantitative analysis of reactive gas species.
- Radicals, ions, polymers and clusters are sampled via a multistage differentially pumped inlet, forming a molecular beam that is transferred to the ion source of a precision triple filter quadrupole mass spectrometer.

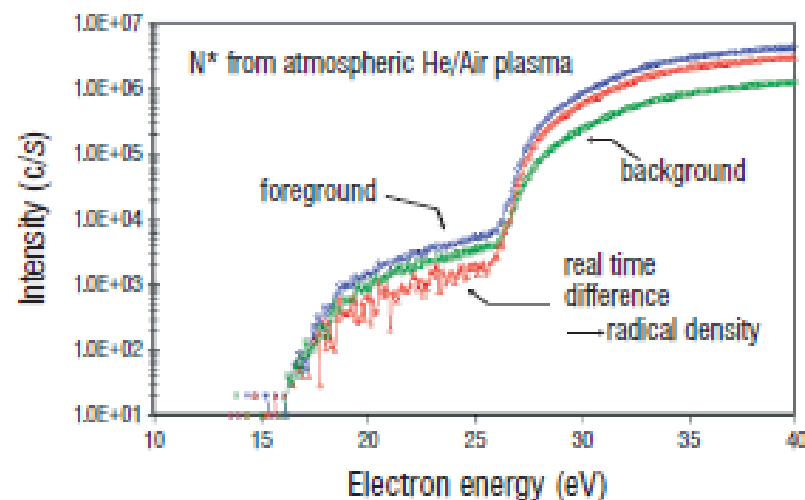


HPR-60 System Schematic



HPR-60 Features

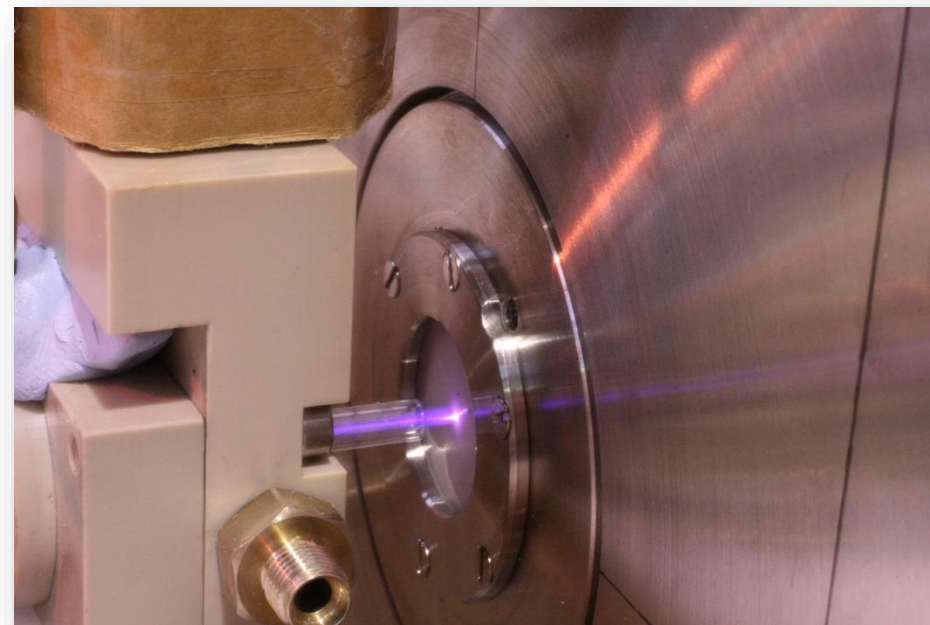
- Molecular beam sampling at atmospheric pressure
- +ve and -ve ion analysis
- User replaceable skimmer
- Cones (can be biased)
- Electron attachment ionisation mode for the study of electro-negative radicals
- APSI-MS soft ionisation mode for radicals analysis
- Mass range options: 300, 510 or 1000 amu
- Energy range options 100 eV or 1000 eV



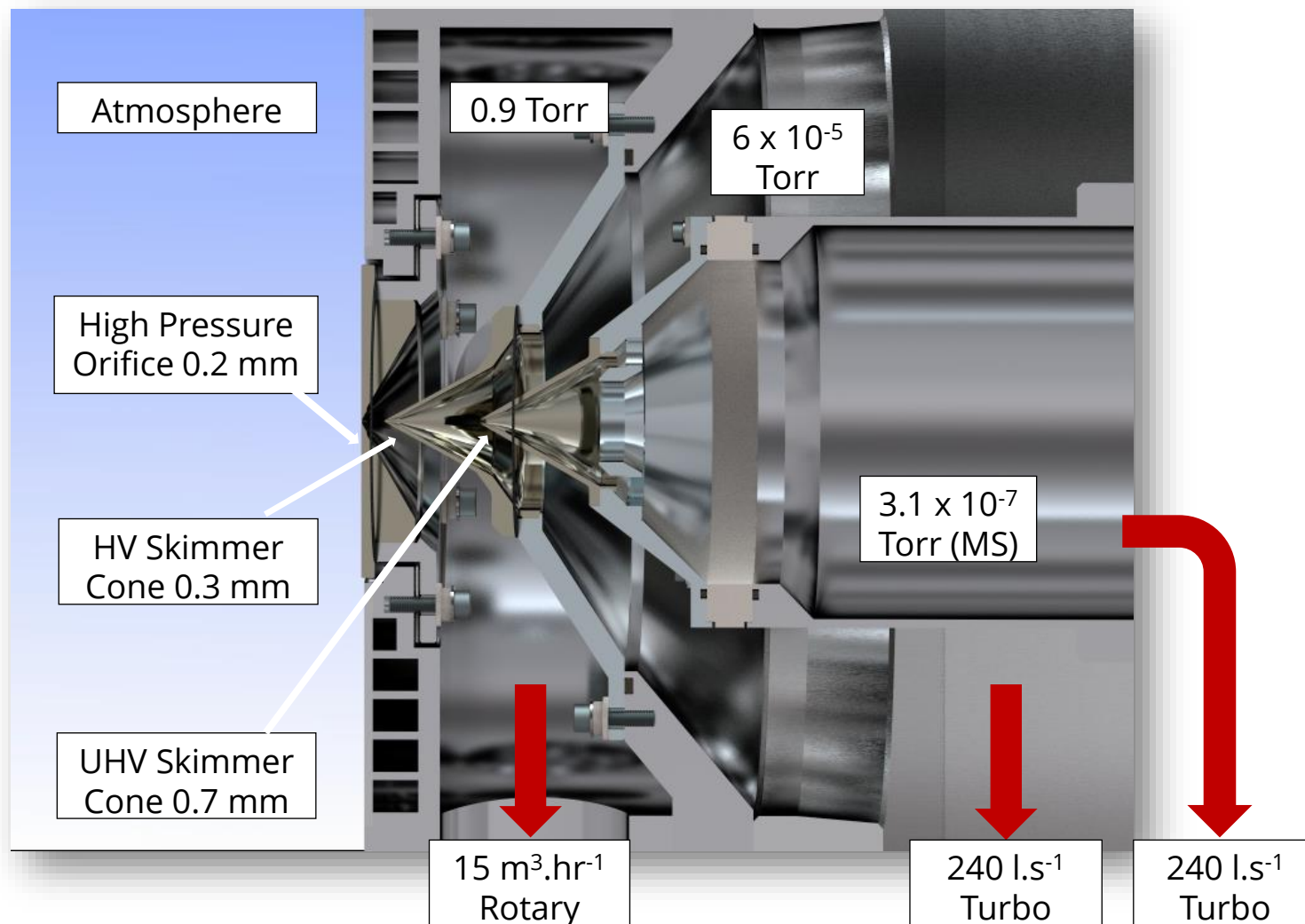
HPR-60 Applications

Both two and three stage differentially pumped versions are available to address a broad range of applications covering the pressure range 10⁻⁴ mbar to atmospheric, including reaction kinetics in:

- Environmental and atmospheric chemistry
- Low and high pressure plasma chemistry
- Catalytic reactors
- CVD / MOCVD
- Combustion chemistry
- Flame chemistry

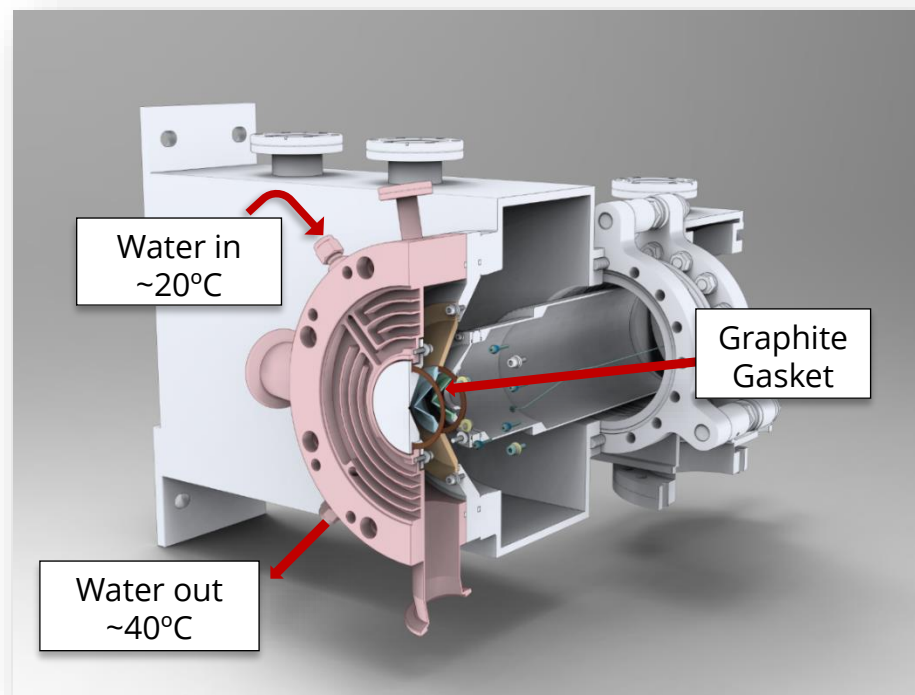


HPR-60 Typical Operating Pressures



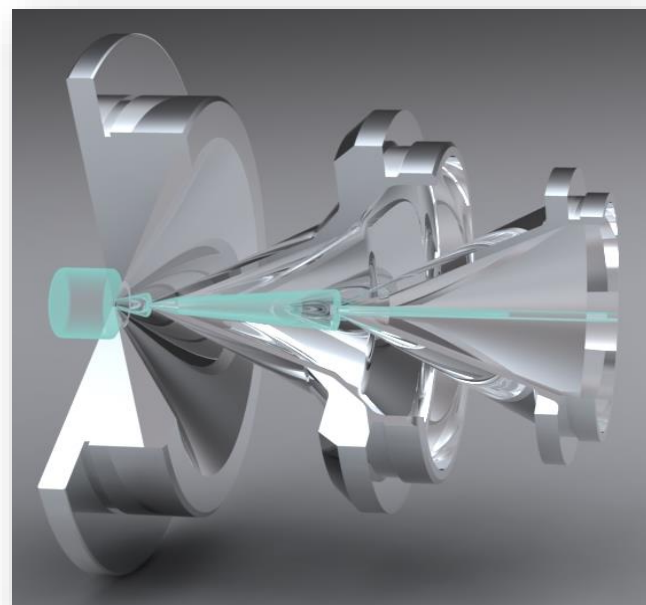
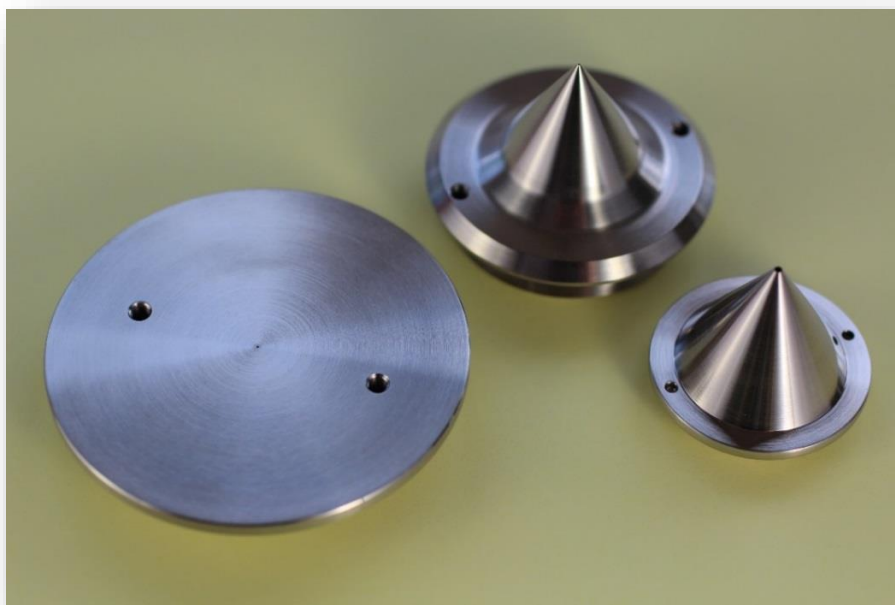
HPR-60 Water Cooled Stage for High Temperature Measurements

- Water cooled channels are offered as standard, with optional chiller.
- Special graphite seal allows heat conduction from the orifice.
- Assuming water cooling is used at a flow rate of $\sim 1 \text{ l.min}^{-1}$, with $20 \text{ }^\circ\text{K}$ rise. A cooling power of 1.3 kW is obtained.
- For higher temperature applications, ceramic cones and heat shield are also offered.



HPR-60 Cones

- Control the pressure differential obtained through stages 1, 2, and 3.
- Standard orifice sizes– suitable for sampling from around atmospheric pressure as standard. Other pressure regimes are catered for.
- Radicals are sampled via a multi stage, differentially pumped skimmer inlet. Sampling is carried out in the supersonic 'mach disc' region, interactions with other species and chamber walls are negligible.
- Other metal and ceramic cones available – Please contact Hiden for more details.



HPR-60 Mass Spectrometer Selection

EPIC Probe

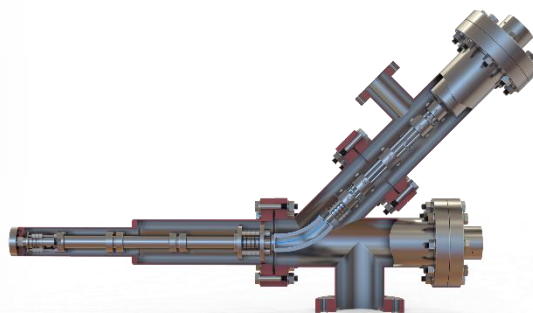
- Sub PPM detection of plasma ions, neutrals and radicals.
- Mass ranges of 0-50, 0-300, 0-500 & 0-1000 amu available.



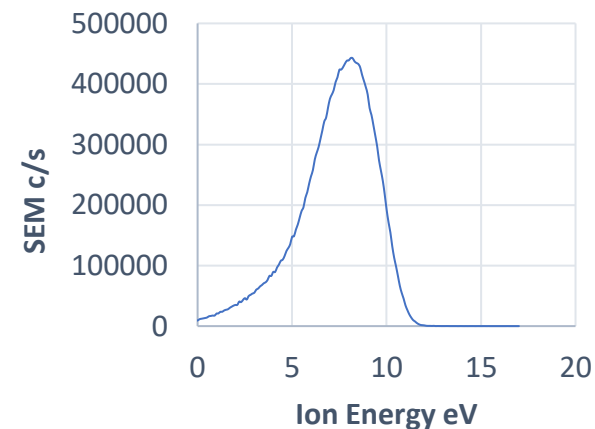
EPIC Probe – Mass Analyser

EQP Probe

- Sub PPM detection of plasma ions, neutrals and radicals.
- Ion Energy Analysis, 45° sector energy analyser with 0.25 eV resolution
- Mass ranges of 0-50, 0-300, 0-500 & 0-1000 amu available.

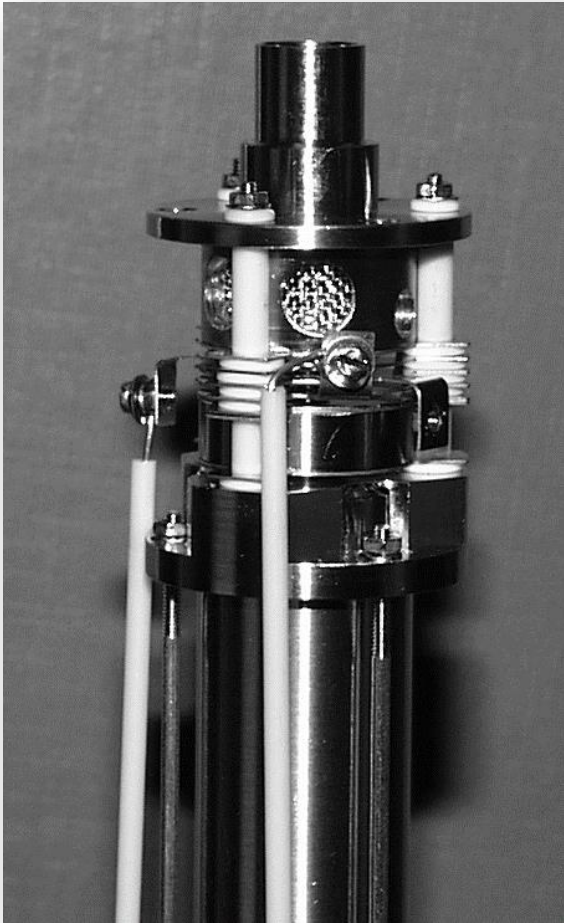


EQP Probe – Mass/Energy Analyser



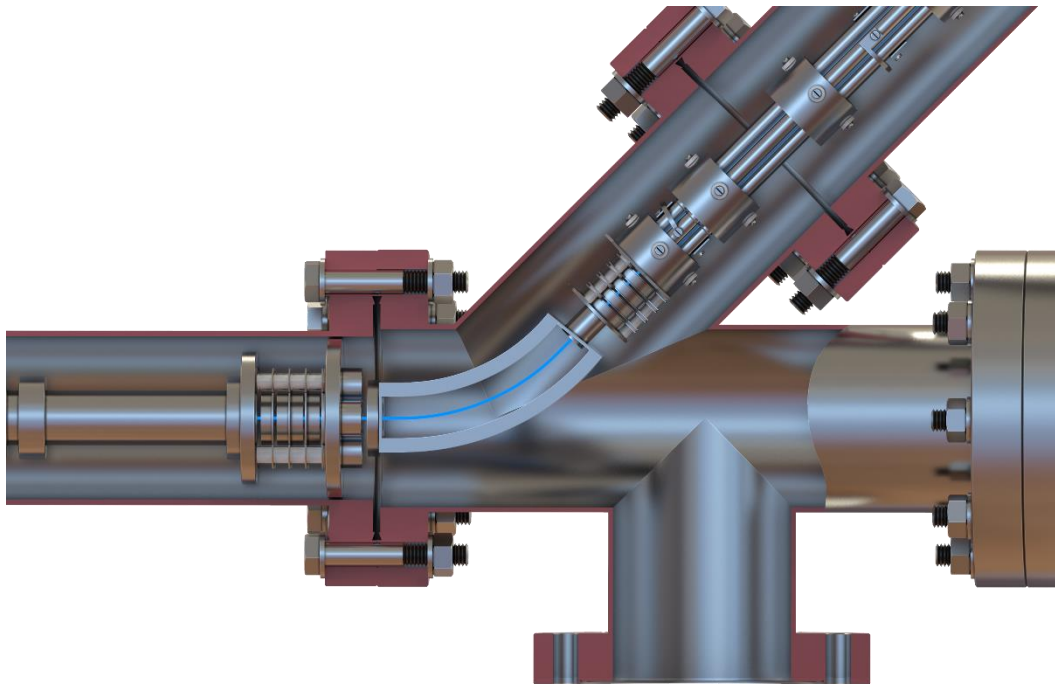
Typical EQP Energy Spectrum from an atmospheric Plasma Discharge.

EQP Extraction Optics



- Software controlled Extraction / Focus
- Discriminates +ve, -ve, e⁻, radicals
- Fully tuneable for optimal detection
- Integrated ionisation source

EQP 45° Electrostatic Sector Analyser



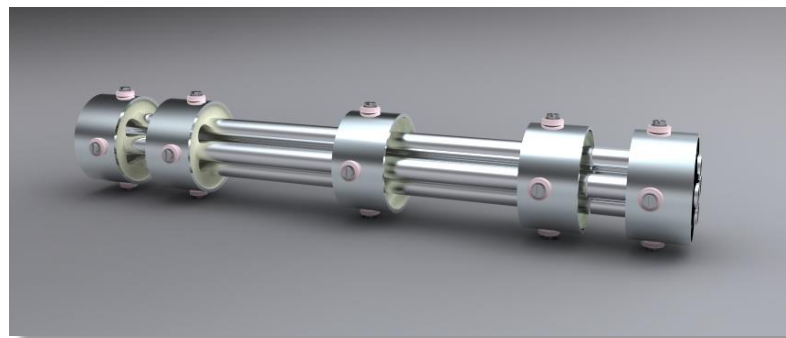
- Optimum transmission cf. Bessel box.
- Minimum perturbation of ion flight path.
- Constant ion transmission at all energies.
- Energy resolution down to 0.25 eV FWHM.
- Energy scan at increments from 0.05 eV.
- Floating option up to 10 keV.

Triple Filter Mass Spectrometer

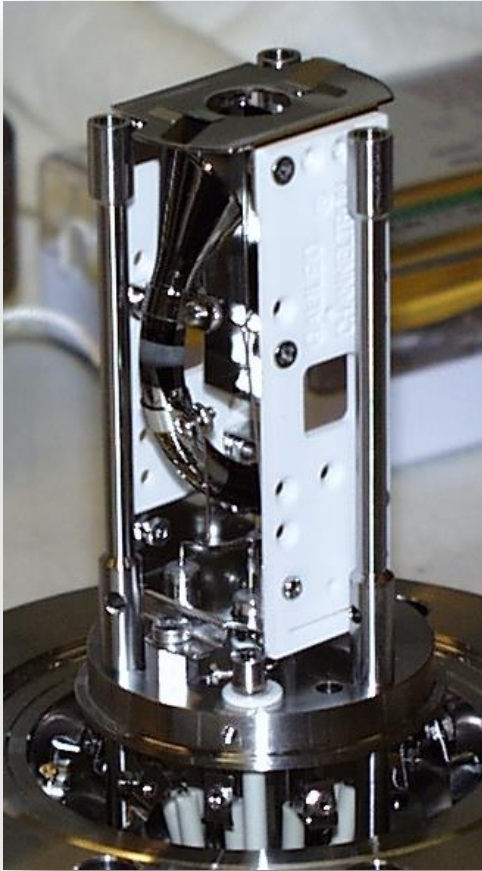
Why have a triple filter?

Two main advantages:

1. Strict control over the quadrupole entrance and exit fields provides **enhanced sensitivity for high mass transmission and increased abundance sensitivity**
2. **Enhanced long-term stability.** The bulk of the deselected ions from the quadrupole ioniser deposit harmlessly on the RF-only pre-filter stage, minimising contamination on the mass selective primary filter



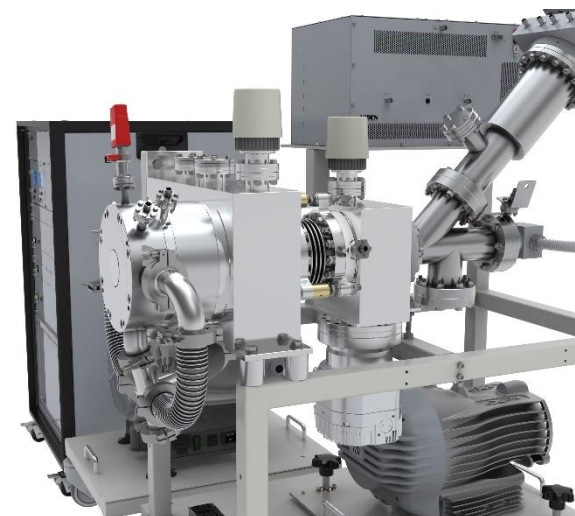
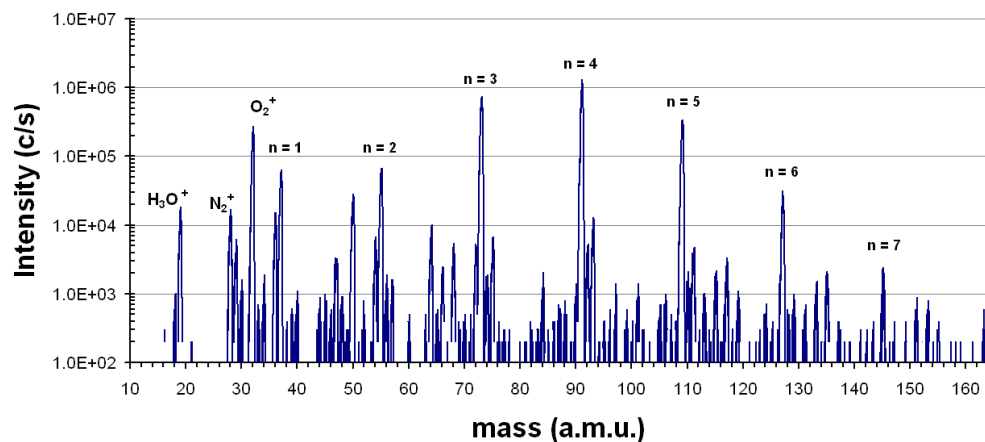
Secondary Electron Multiplier (SEM) Detector



- 7 decade continuous dynamic range.
- 24 bit counter for 1 c /s resolution.
- Faraday Cup option for high density plasmas.
- Signal gating with 1 μ s resolution energy & mass distributions vs time.
- TTL / DDE data export options.

Summary

- Molecular beam Mass Spectrometer (MBMS)
- Designed and manufactured by Hiden in the UK.
- Radicals, ions, polymers and clusters are sampled via a multistage differentially pumped inlet, forming a molecular beam that is transferred to the ion source of a precision triple filter Quadrupole mass spectrometer.



Selected Publications

- Ambient air particle transport into the effluent of a cold atmospheric-pressure argon plasma jet investigated by molecular beam mass spectrometry. 2013. M Dünnbier et al. *J. Phys. D: Appl. Phys.* **46** 435203
- The reaction mechanism of the spray Ion Layer Gas Reaction process to deposit In_2S_3 thin films. 2011. S Gledhill et al. *Thin Solid Films* **519** 6413-6419
- Atmospheric pressure plasma analysis by modulated molecular beam mass spectrometry. 2006. Y Aranda Gonzalvo et al. *J. Vac. Sci. Technol.* **A 24(3)** May/June
- A plasma needle generates nitric oxide. 2006. E stoffels et al. *Plasma Sources Sci. Technol.* **15** 501-506
- A mass spectrometric study of ions extracted from a point-to-plane dc corona discharge in N_2O at atmospheric pressure. 2008. JD Skalny et al. *J.Phys. D: Appl. Phys.* **41** 085202
- Positive Ion Mass Spectrometry during an Atmospheric Pressure Plasma Treatment of Polymers. 2009. AJ Beck et al. *Plasma Process. Polym.* **6** 521-529



Hidden HPR-60 Users

- Samsung Electronics
- Xian Jiaotong University
 - KAUST
- Old Dominion University
- University College London
- Institute of Plasma Physics
- Atmospheric Afterglow Technologies
 - University of Liverpool
 - CEA LETI
 - CBTE
 - Nagoya Institute
- Oak Ridge National Laboratory
 - Paul Scherrer Institut



- 
- A photograph of a modern, two-story office building with a grey facade and large glass windows. The building has a prominent glass entrance on the left side. A sign with the "HIDEN ANALYTICAL" logo is mounted on the upper part of the building's facade. The building is surrounded by greenery, including trees and bushes, under a clear blue sky. A large, semi-transparent white circle is overlaid on the left side of the image, containing the text of the list.
- www.HidenAnalytical.com
 - The Hiden website is an excellent resource with product pages, brochures, catalogues, product pages with some application notes, presentation and other information.
 - Contact +44 1925 445225 for direct support.