

## ■ DV88 SERIES DIAPHRAGM VALVES



### ■ Features

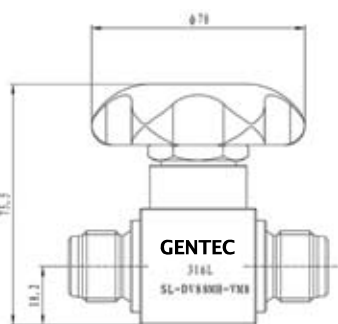
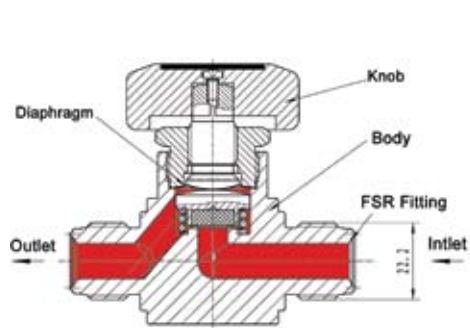
- Suitable for ultra high purity applications
- End connections include GENLOK, Face seal fittings (FSR) and butt welded
- Cleaned and degreased for oxygen service according to CGA G-4.1 and ASTM G93 Class C, respectively
- Metal-to-metal diaphragm seal minimizes particle generation
- Long service life
- 100% Helium-leak tested

### ■ Specifications

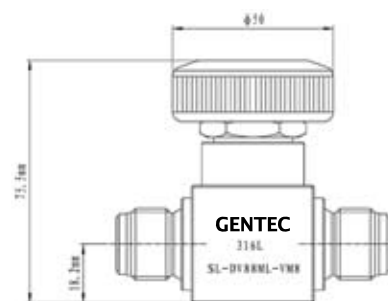
- Body: 316L stainless steel
- Seat: PCTFE
- Diaphragm: Elgiloy®
- Maximum operating pressure:  
1000 psi (69 bar), 3500 psi (240 bar)
- Operating temperature:  
-40°F ~ 150°F (-40°C ~ 65°C)
- Cv: 1.0 (3500 psi); 1.5 (1000 psi)
- Standard Ra: 20 µin (BA)

## DV88 SERIES DIAPHRAGM VALVES

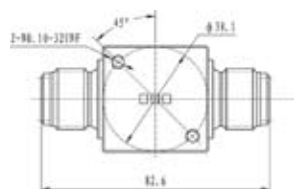
### Dimensions



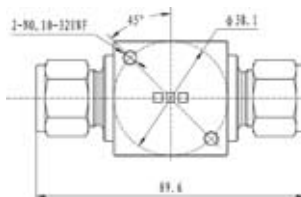
Manual (High Pressure)



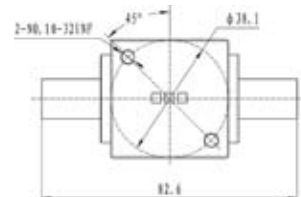
Manual (Low Pressure)



Face seal male (FSR fittings)

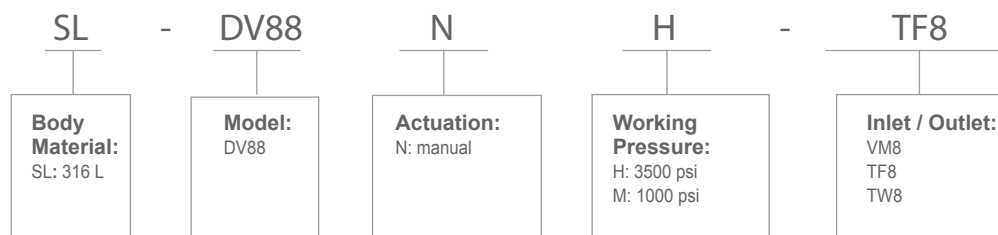


GENLOK fitting



Butt welded

### Ordering Information



Inlet & Outlet Connections		
Type	Dimensions	8 = 1/2"
VM: Face seal male (FSR fittings)	8	
TF: GENLOK fitting	8	
TW: Butt welded	8	