

Diaphragm Valves

■ DV82 SERIES DIAPHRAGM VALVES



Manual

■ Features

- Suitable for general and high purity applications
- Manual or pneumatic actuation
- End connections: GENLOK , NPT , Face seal fittings (FSR) and butt welded
- Cleaned and degreased for oxygen service according to CGA G-4.1 and ASTM G93 Class C, respectively
- Metal-to-metal diaphragm seal minimizes particle generation
- Long service life
- 100% Helium-leak tested



Pneumatic

■ Specifications

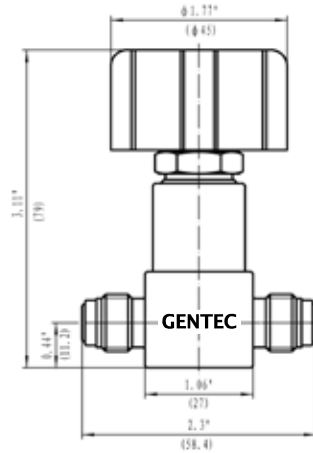
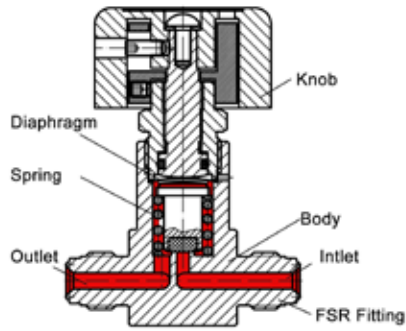
- Body: 316L stainless steel
- Seat: PCTFE*, Vespel®**
- Diaphragm: Elgiloy®
- Maximum operating pressure: 3500 psi (240 bar)
- Operating temperature: -40°F ~ 150°F (40°C ~ 65°C)
- Cv: 0.16
- Standard Ra: 15-20 µin (BA)

* Standard Material

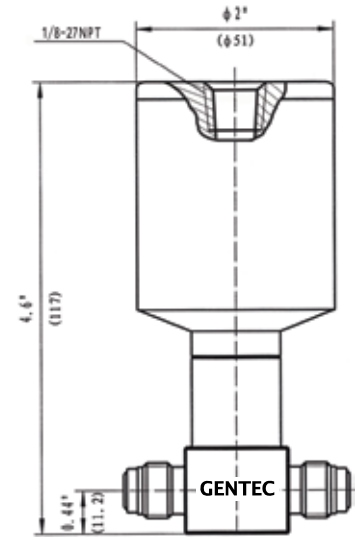
** Vespel® seat is recommended for Nitrous Oxide (N₂O) service but is not available for low pressure pneumatic actuation.

DV82 SERIES DIAPHRAGM VALVES

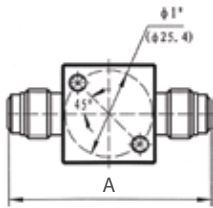
Dimensions



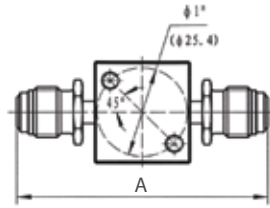
Manual



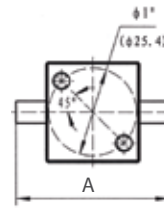
Pneumatic



Face seal male (FSR fittings)



Face seal swivel male (FSR fittings)



Butt welded

Connections*	A (mm)
VM4	58.4
VM8	67.6
VSM4	70.8
VSF4	70.6
TW4	44.2
TW8	44.2

*: Applies to both inlet & outlet connections

Ordering Information

SL	-	DV82	M	H	-	VM4	-	K	-	IS
Body Material: SL: 316 L		Model: DV82	Actuation: M: Manual P: Pneumatic	Working Pressure: H: 3500 psi		Inlet / Outlet: VM4, VM8 VSM4, VSM8 VSF4, VSF8 TW4, TW8		Valve Seat: K: PCTFE V: Vespel®		Option: IS: Electronic indicator*

*For pneumatic configuration only

Inlet & Outlet Connections		
Type	Dimensions	
VM: Face seal male (FSR fittings)	4, 8	4 = 1/4" 6 = 3/8" 8 = 1/2"
VSM: Face seal swivel male (FSR fittings)	4, 8	
VSF: Face seal swivel female (FSR fittings)	4, 8	
TW: Butt welded	4, 6, 8	