

■ BV52 SERIES BALL VALVES

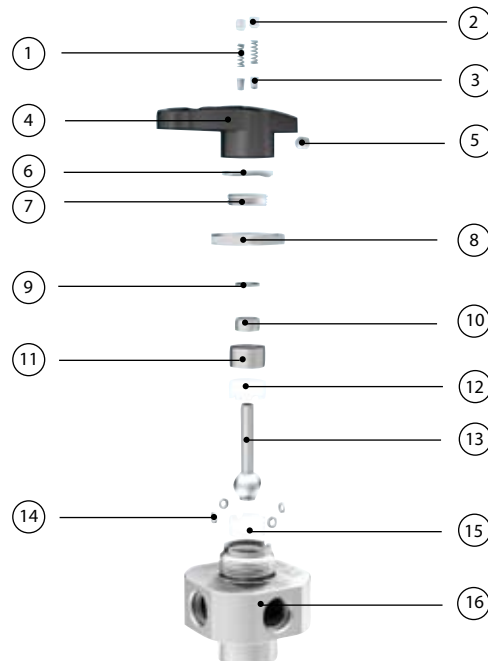


■ Features

- Switching (5 way) valve
- Maximum operating pressure: 2500 psi (172bar)
- Operating temperature: 50°F ~ 150°F (10°C ~ 65°C)
- Handle indicates flow direction
- End connection: Female NPT
- The gas enters through the bottom port and exits in one of four ports
- The spring-loaded indexing pins on the handle assures accurate alignment and maximize flow
- Panel mounting available
- Top-loaded design allows in-line valve adjustment
- Cleaned and degreased for oxygen service according to CGA G-4.1 and ASTM G93 Class C, respectively
- Every valve is factory tested for leakage at 1000 psi
Adjust packing nut when the working pressure is higher than 1000 psi to prevent leakage.

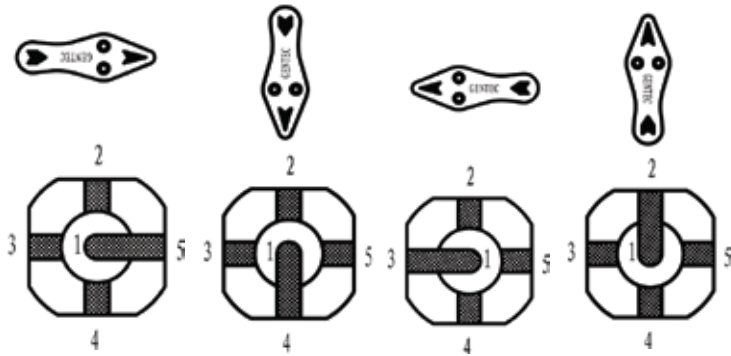
■ Materials of Construction

Components	Material
1 Set Screw	Stainless steel
2 Screw	316 SS
3 Pin	316 SS
4 Handle	Nylon
5 Set Screw	Stainless Steel
6 Gland	ST12
7 Packing Bolt	316 SS
8 Pannel Nut	316 SS
9 Upper Gland	316 SS
10 Bushing	PTFE
11 Lower Gland	316 SS
12 Upper Gland	PTFE
13 Ball Stem	316 SS
14 Side Rings	316 SS
15 Lower Gland	PTFE
16 Body	316 SS

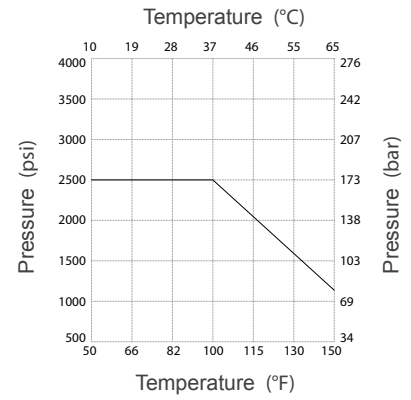


BV52 SERIES BALL VALVES

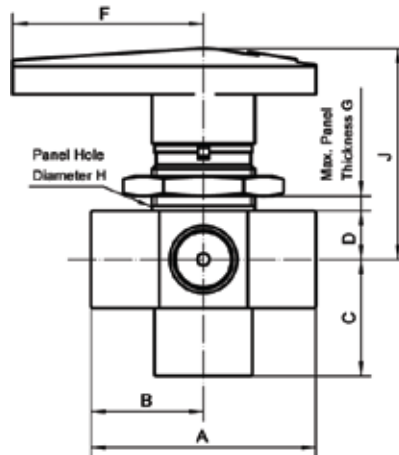
Flow Path Designator



Flow



Dimensions



English Units

Model	Connection Type Inlet/Outlet	Orifice (in.)	CV	Dimension (in.)							
				A	B	C	D	F	G	H	J
SS-BV52-FNT2	1/8" Female NPT	0.062	0.07	1.55	0.78	0.88	0.44	1.53	5/32	29/32	1.69
SS-BV52-FNT4	1/4" Female NPT	0.062	0.07	1.81	0.91	0.85	0.44	1.53	5/32	29/32	1.69

Ordering Information

